

JUXTA W Series Model : WA1A/V

General Specifications

JUXTA

Distributor

1. GENERAL

This distributor for 2-wire transmitter provides functions of distributor and signal isolation conversion. The instrument converts 4~20mA DC signals to current or voltage signals.

2. SPECIFICATIONS

| IO Specifications | |
|--|--|
| Input signal | 4~20mA DC |
| Input resistance | 250Ω |
| Permissible applied voltage | 40mA max |
| Transmitter power supply voltage | 26.5±1.5V DC(with current limit circuit of 25~35mA) |
| Permissible conductor resistance | $RL \leq (20\text{-minimum transmitter operating voltage}) V/0.02A(\Omega)$ |
| Output signal | DC current or voltage signal |
| Zero point adjustment range | ±3% of span |
| Span adjustment range | ±6% of span |
| Standard performance | |
| Precision rating | ±0.1% of span |
| Response speed | 150ms 63% response (10~90%) |
| Insulation resistance | 100MΩ min (at 500V DC) between input~output~power supply (DC drive) input~output~power supply~ground (AC drive) |
| Voltage withstand | 1500V AC/minute between input~output, input~power supply 500V AC/minute between output~power supply (DC drive) 1500V AC/minute between input~output~power supply~ground (AC drive) |
| Ambient temperature and humidity | Normal operating condition: 0~50°C, 5~90% RH Operating limit: -10~60°C, 5~95% RH Storage condition: -40~70°C, 5~95% RH (No condensation) |
| Power supply voltage | 85~264V AC 47~63Hz, 24V DC±10% |
| Effect of power supply voltage fluctuation | ±0.1% max of span per 85~264V AC or 24V DC ±10% fluctuation |
| Effect of change in ambient temperature | ±0.2% max of span per 10°C change in temperature |
| Current dissipation | 24V DC 110mA (WA1A-1), 75mA (WA1V-1) |
| Power dissipation | 100V AC 12VA (WA1A-2), 8VA (WA1V-2) |
| Mountings and dimensions | |
| Material | Case: ABS plastic |
| Boards | Both sides glass-epoxy |
| Mounting methods | Rack, wall, or DIN rail |
| Connection method | M4-screw terminals |
| External dimensions | 72 x 48 x 127 mm (h x w x d) |
| Weight | DC drive: approx. 150g, AC drive : approx. 300g |
| Accessories | |
| Tag number labels: 1 Mounting blocks: 2 | M4 mounting screws: 4 |

WA1 **A** * **B**

TYPE NO. _____

OUTPUT SPECIFICATION _____

A: Current
V: Voltage

INPUT SIGNAL _____

A: 4~20mA DC
Transmitter power supply: 25~28V DC

OUTPUT SIGNAL _____

| | |
|--|--|
| WA1A | WA1V |
| A: 4~20mA DC | 1: 0~10mV DC |
| B: 2~10mA DC | 2: 0~100mV DC |
| C: 1~5mA DC | 3: 0~1V DC |
| D: 0~20mA DC | 4: 0~10V DC |
| E: 0~16mA DC | 5: 0~5V DC |
| F: 0~10mA DC | 6: 1~5V DC |
| G: 0~1mA DC | 7: -10~+10V DC |
| Z: (custom) current signal (24mA max) | 0: (custom) voltage signal (±10V max) |

POWER SUPPLY _____

1: 24V DC±10% 2: 85~264V AC

| DUAL OUTPUT SPECIFICATIONS | | |
|----------------------------|-------------------------|------------|
| Model | 1st Output (selectable) | 2nd Output |
| WA1A | 4~20mA DC | 1~5V DC |
| | 2~10mA DC | |
| | 1~5mA DC | |
| | 0~20mA DC | |
| | 0~16mA DC | |
| | 0~10mA DC | |
| WA1V | 0~10mV DC | 1~5V DC |
| | 0~100mV DC | |
| | 0~1V DC | |
| | 0~10V DC | |
| | 0~5V DC | |
| | 1~5V DC | |
| | -10~+10V DC | |

The JUXTA W Series allows dual output.
Enter/DO after the model code when ordering.

High Voltage Withstand Specifications

The JUXTA W Series is also available in 2000V AC voltage withstand specifications. Contact your dealer for details.

OUTPUT RESISTANCE AND PERMISSIBLE LOAD RESISTANCE

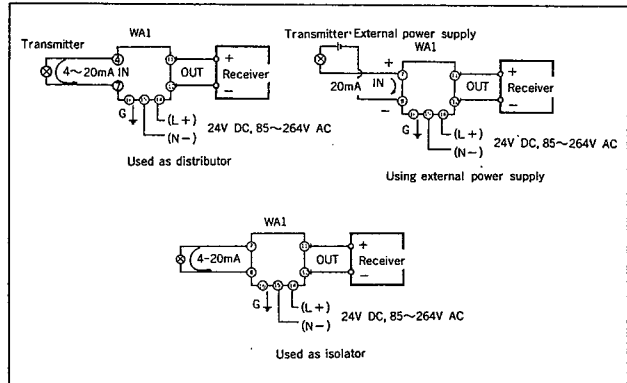
| WA1A (DC Current Output) | | |
|---|-------------------|-----------------------------|
| Output Signal | Output Resistance | Permissible Load Resistance |
| 4~20mA DC | 5MΩ min | 0~750Ω |
| 2~10mA DC | | 0~1500Ω |
| 1~5mA DC | | 0~3000Ω |
| 0~20mA DC | | 0~750Ω |
| 0~16mA DC | | 0~900Ω |
| 0~10mA DC | | 0~1500Ω |
| 0~1mA DC | | 0~15kΩ |
| Others where I ₁₀₀ =24mA max | | |

I₁₀₀ : 100% output current

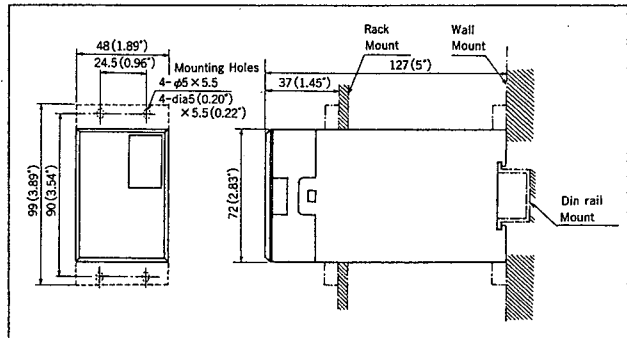
| WA1V (DC Voltage Output) | | |
|--|--------------------------|-----------------------------|
| Output Signal | Output Resistance | Permissible Load Resistance |
| 0~10mV DC | 100Ω max | 250kΩ min |
| 0~100mV DC | | 2kΩ min |
| 0~1V DC | 1Ω max | 10kΩ min |
| 0~10V DC | | 2kΩ min |
| 0~5V DC | | 2kΩ min |
| 1~5V DC | | 10kΩ min |
| -10~+10V DC | | 10kΩ min |
| Others where V ₁₀₀ =10V max | V ₁₀₀ ≤ 100mV | 100Ω max |
| | V ₁₀₀ > 100mV | 1Ω max |

V₁₀₀ : 100% output voltage

WIRING DIAGRAM



EXTERNAL DIMENSION



Subject to change without notice for grade up quality and performance